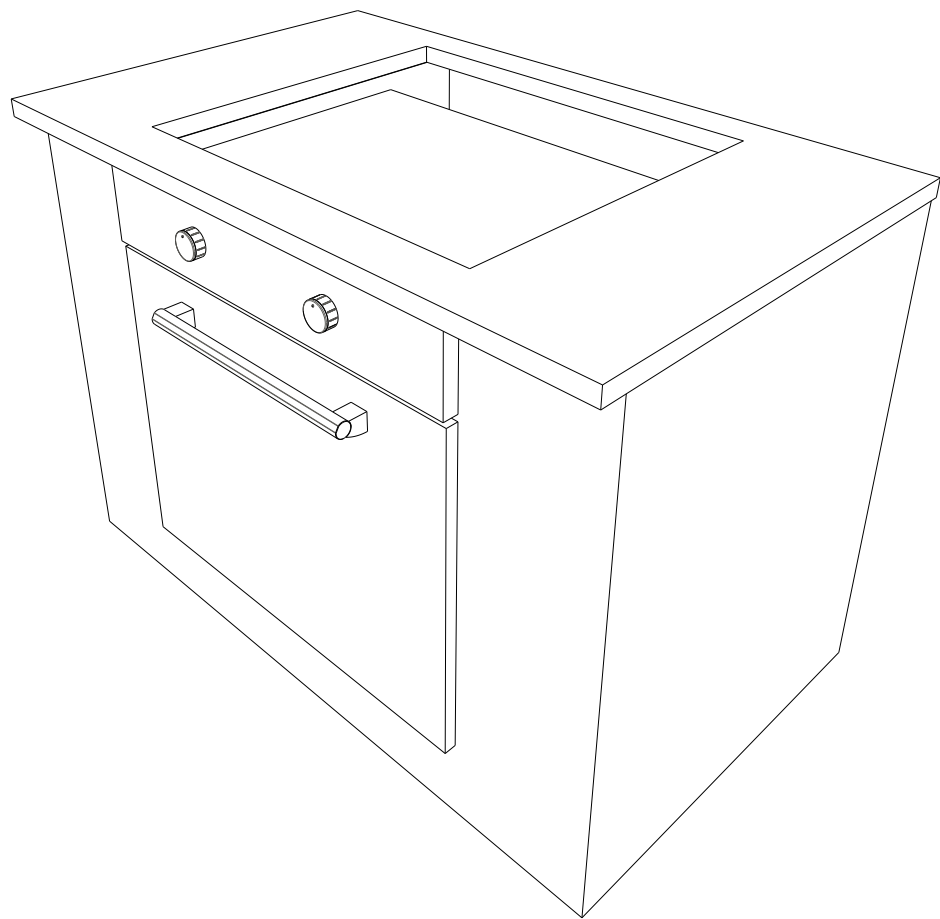
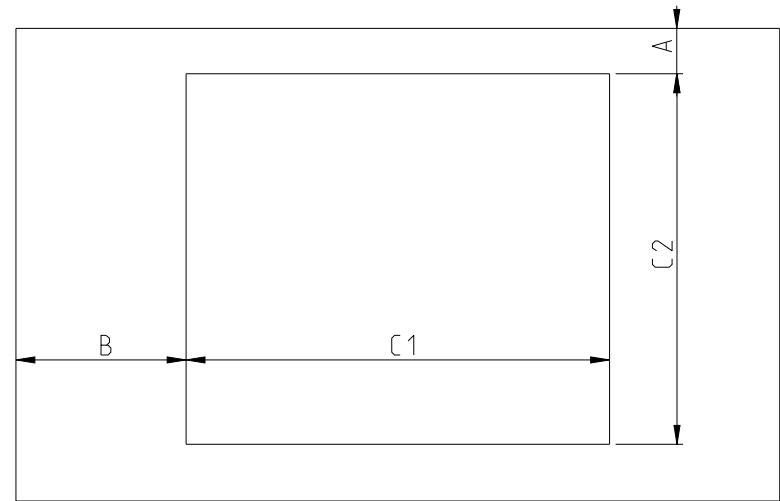
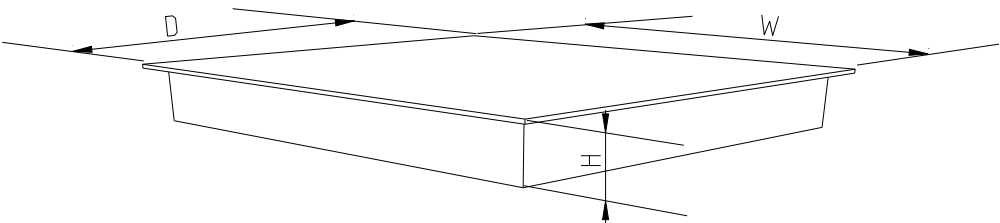


PRODUCT DIMENSIONS	W (MM)	D (MM)	H (MM)
	580	515	42

CUTOUT DIMENSIONS	C1 (MM)	C2 (MM)
	560	490



NEIGHBOURHOOD WALLS	MIN A (MM)	MIN B (MM)
	50	50

